

STAGE 6

ENERGEX APPROVED
J.Lansley - Date 28.01.2016



SLIDE THREE FINGERED GLOVE INTO POSITION



EVENLY HEAT DOWN THREE FINGERED GLOVE



APPLY RED WEATHER MASTIC AROUND THREE FINGERED GLOVE

SLIDE WEATHER CONTROL TUBES INTO POSITION AND EVENLY HEAT DOWN

STAGE 7



SLIDE OUTER RESIN TUBE INTO POSITION



EVENLY HEAT DOWN OUTER RESIN TUBE

6.3 / 11 KV

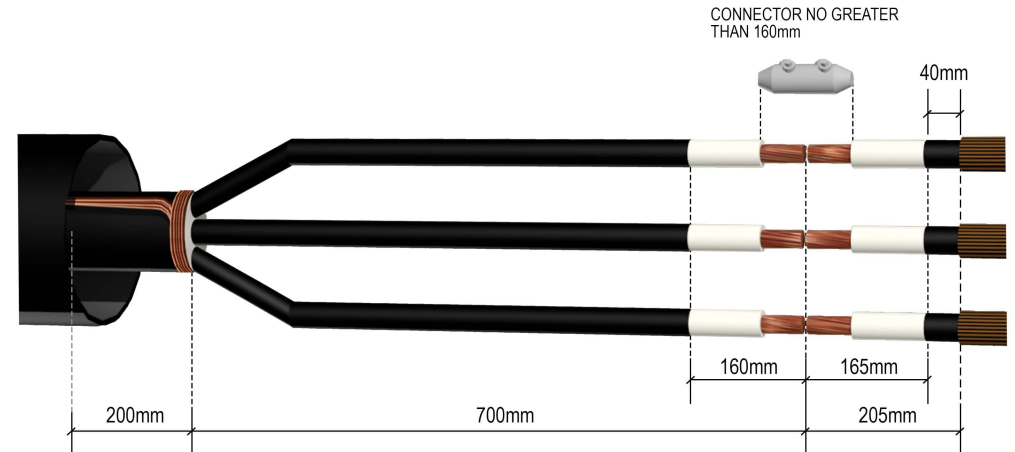
70 - 300mm² Cu XLPE - XLPE

70 - 400mm² Al XLPE - XLPE

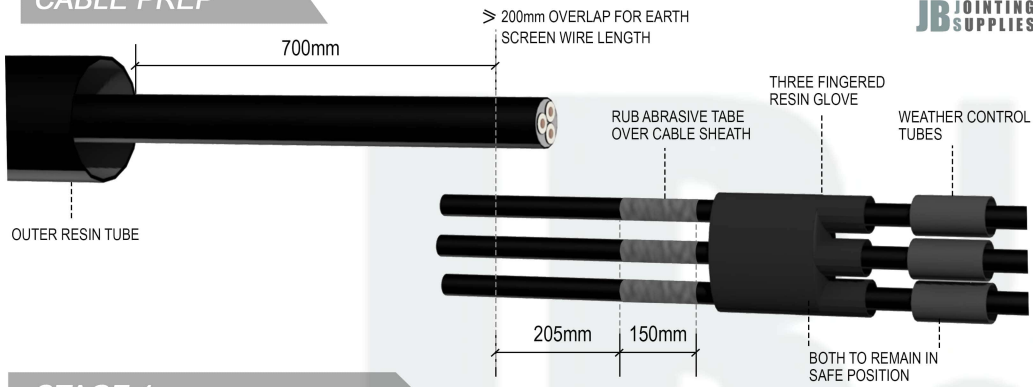
THREE CORE - SINGLE CORE STRAIGHT JOINT

TERMINATION GUIDE

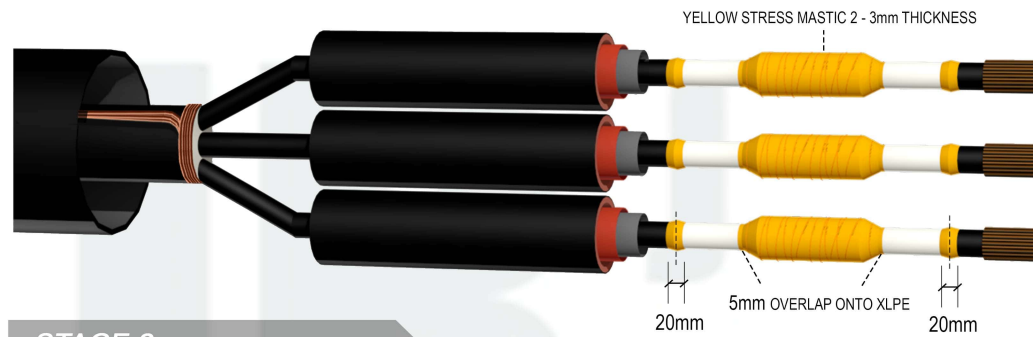
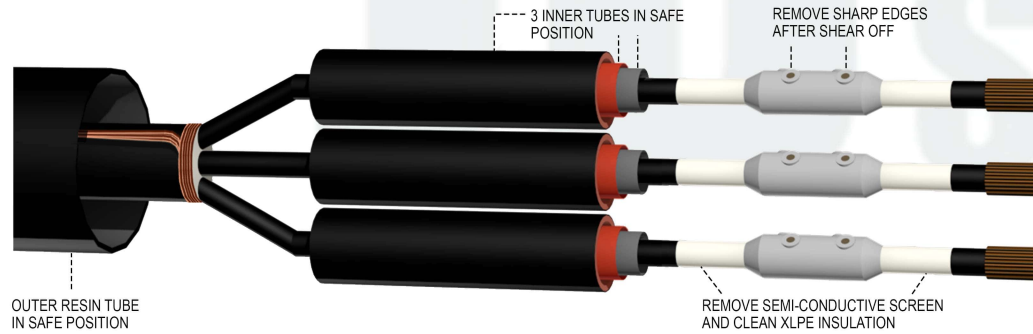
SUMMARY



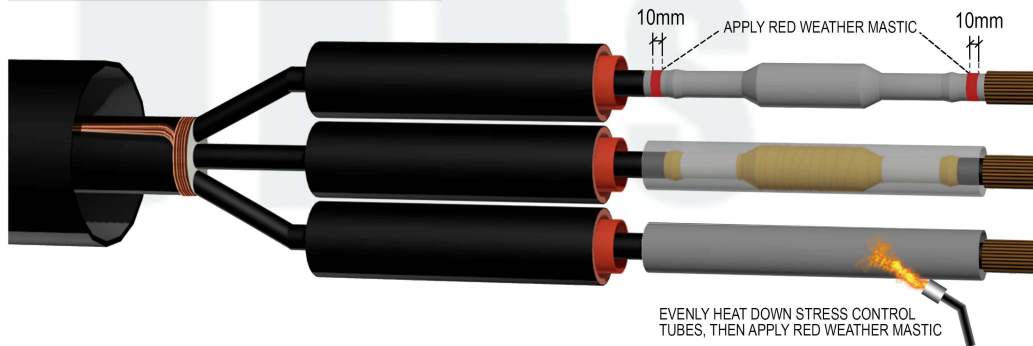
CABLE PREP



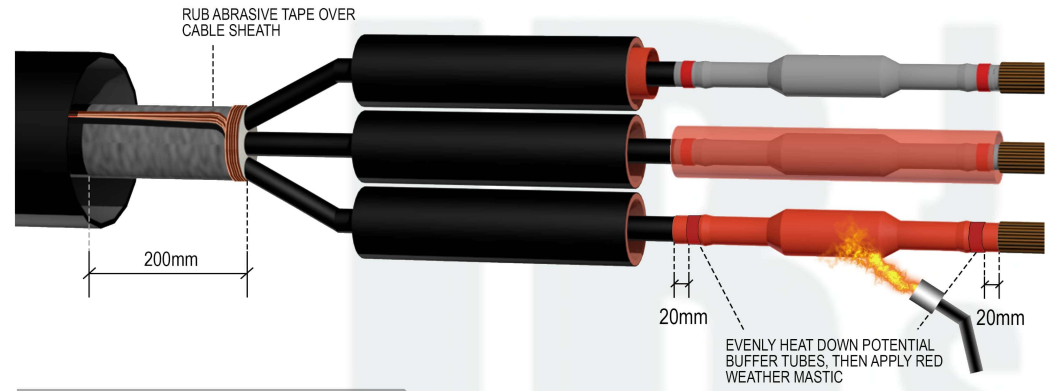
STAGE 1



STAGE 2



STAGE 3



STAGE 4



STAGE 5

